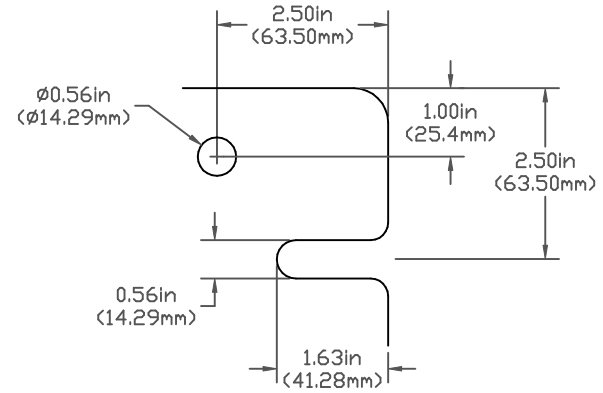
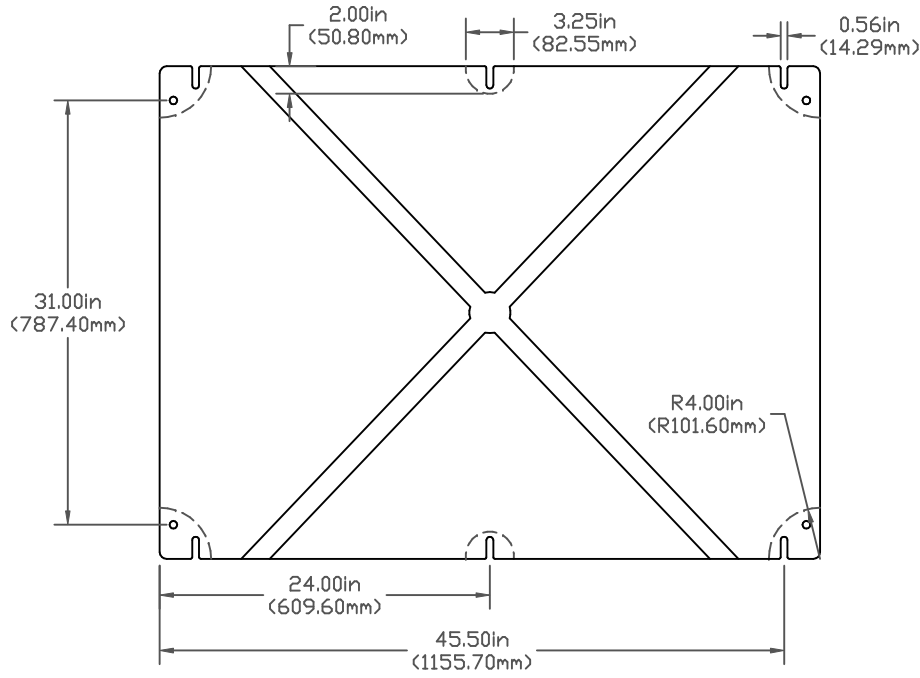
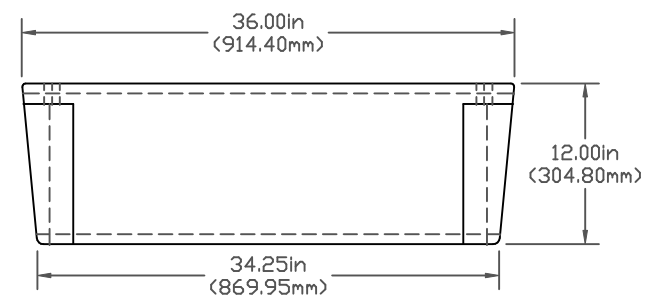
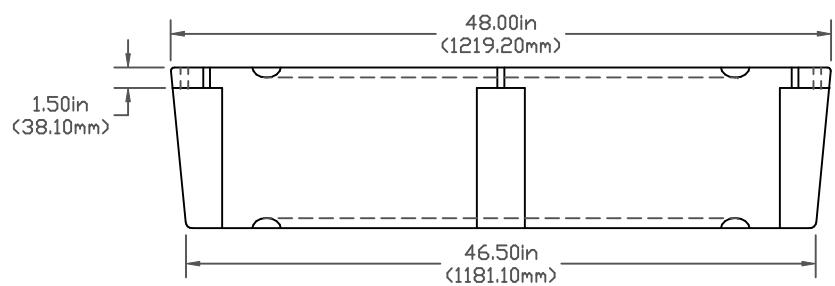


Copyright. All information furnished within this document, electronic file or design correspondence is the property of Den Hartog Industries, Inc. and shall not be used, disclosed to others or copied without the expressed written consent of Den Hartog Industries, Inc.



CORNER DETAIL



B	METRIC DIMENSIONS ADDED CCN 1685	6/16/08	ADH
A	ADD BUDYANCY NOTE	1-8-07	GWC
A	CHANGE WEIGHTS AF WAS 29 FF WAS 44	1-8-07	GWC
1	CHANGE WEIGHTS	11-18-94	APVD
REV	DESCRIPTION	DATE	APVD
SCALE NONE			
UDS DIMENSIONS ARE IN INCHES GENERAL TOLERANCES ±1% @ 68F° (20C°)			

DEAN	DATE 4-4-94	MATERIAL POLYETHYLENE 0.150in(3.81mm) NOM. WALL
ADH	DATE 11-5-07	PART WEIGHT ⓐ AF 32 LBS.(14.51 KG.) FF 43 LBS.(19.50 KG.)
THIRD ANGLE PROJECTION		

ⓐ NOTE: BUDYANCY IS 656 LBS(297.56 KG.)

<i>ACE ROTO-MOLD</i>	
PART NO.	3648-12
SIZE A	DWG NO. 3648-12
REV B	