

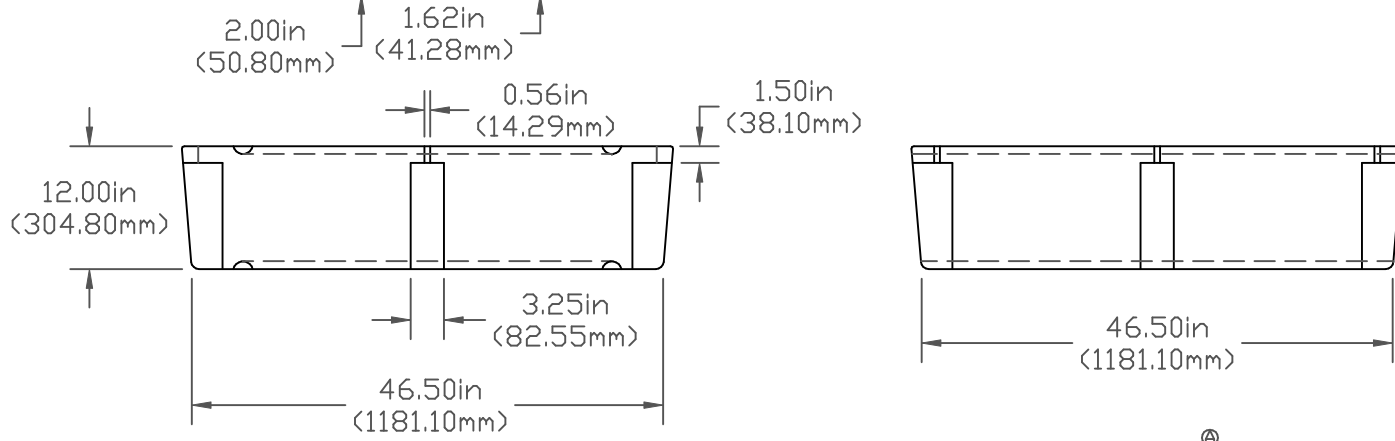
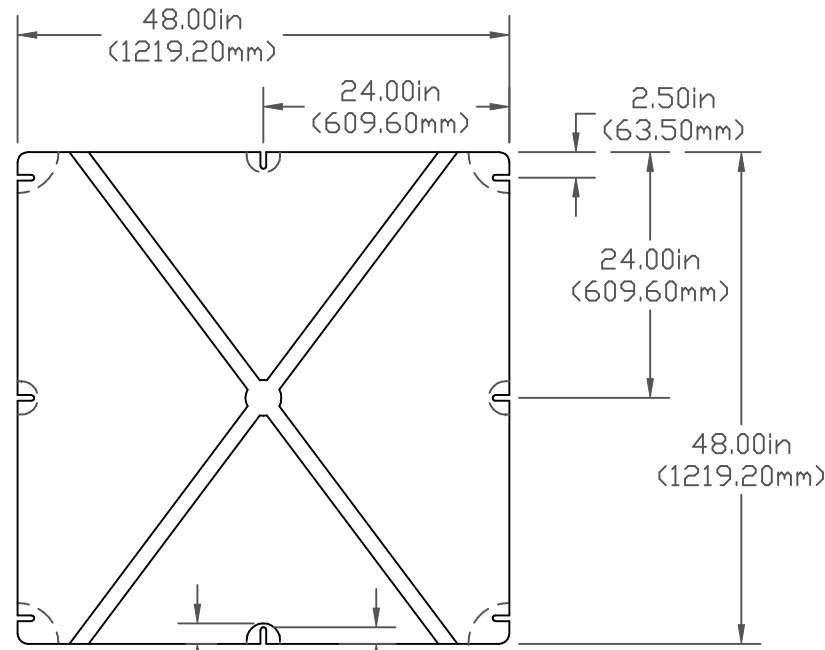
© DEN HARTOG INDUSTRIES, INC.

Copyright. All information furnished within this document, electronic file or design correspondence is the property of Den Hartog Industries, Inc. and shall not be used, disclosed to others or copied without the expressed written consent of Den Hartog Industries, Inc.

DWG NO. 4848-12

SH

REV
B



Ⓐ NOTE: BUOYANCY IS 890 LBS.(403.70 KG.)

B	METRIC DIMENSIONS ADDED CCN 1685	6-26-08	ADH
A	ADD BUOYANCY NOTE	1-10-07	GWC
A	CHANGE WEIGHTS AF WAS 36 FF WAS 61	1-10-07	GWC
1	CHANGE WEIGHTS	11-16-94	
REV	DESCRIPTION	DATE	APVD
SCALE NONE			
UNLESS DIMENSIONS ARE IN INCHES GENERAL TOLERANCES ±1% @ 68F° (20C°)			

DRAWN DEAN	DATE 4-18-94	MATERIAL POLYETHYLENE 0.150in(3.81mm) NOM. WALL
APPROVED ADH	DATE 11-5-07	
THIRD ANGLE PROJECTION		PART WEIGHT Ⓐ
		AF 38 LBS.(17.24 KG.) FF 53 LBS.(24.04 KG.)

<h1>ACE ROTO-MOLD</h1>		
		PART NO. 4848-12
SIZE A	DWG NO. 4848-12	REV B