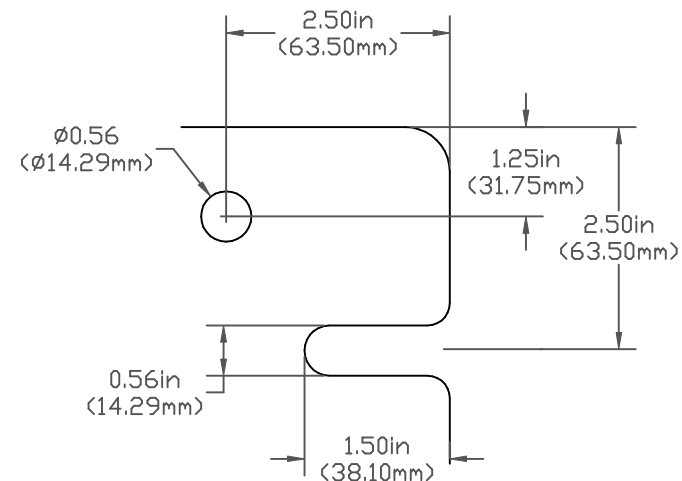
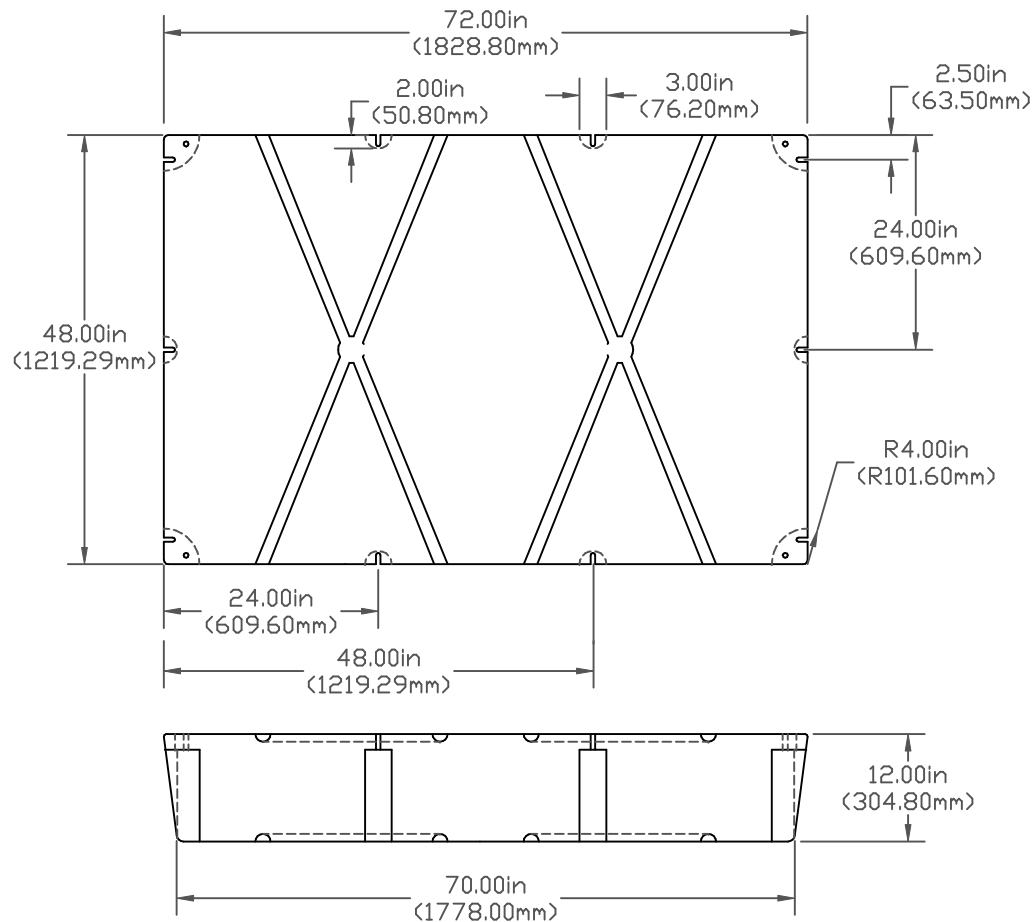


© DEN HARTOG INDUSTRIES, INC.

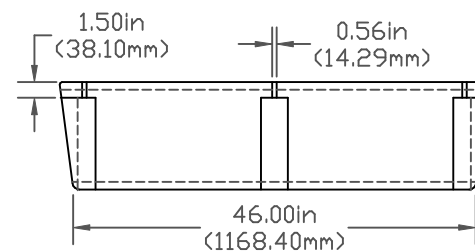
Copyright. All information furnished within this document, electronic file or design correspondence is the property of Den Hartog Industries, Inc. and shall not be used, disclosed to others or copied without the expressed written consent of Den Hartog Industries, Inc.

DWG NO. 4872-12

SH REV B



CORNER DETAIL



NOTE: BUOYANCY IS 1,350 LBS.(612.35 KG.)

B	METRIC DIMENSIONS ADDED CEN 1685	7-1-08	ADH	DRAWN	DEAN	DATE	11-18-94	MATERIAL	
A	ADD BUOYANCY NOTE	1-11-07	GWC	APPROVED	ADH	DATE	11-6-07	POLYETHYLENE	
A	CHANGE WEIGHT FF WAS 97	1-11-07	GWC					0.150in(3.81mm) NOM. WALL	
REV	DESCRIPTION	DATE	APVD						
SCALE NONE				THIRD ANGLE PROJECTION				PART WEIGHT Ⓢ	
UDS DIMENSIONS ARE IN INCHES GENERAL TOLERANCES ±1% @ 68F° (20C°)								AF 54 LBS.(24.49 KG.) FF 77 LBS.(34.93 KG.)	

<h1>ACE ROTO-MOLD</h1>		PART NO. 4872-12	
		SIZE A	DWG NO. 4872-12
		REV B	