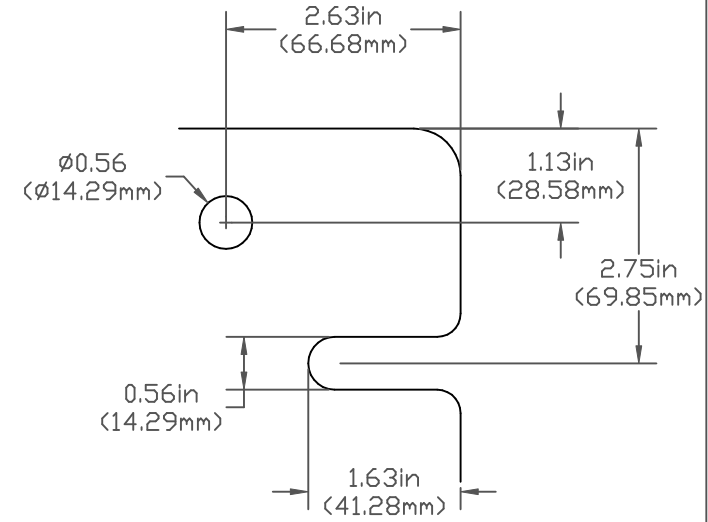
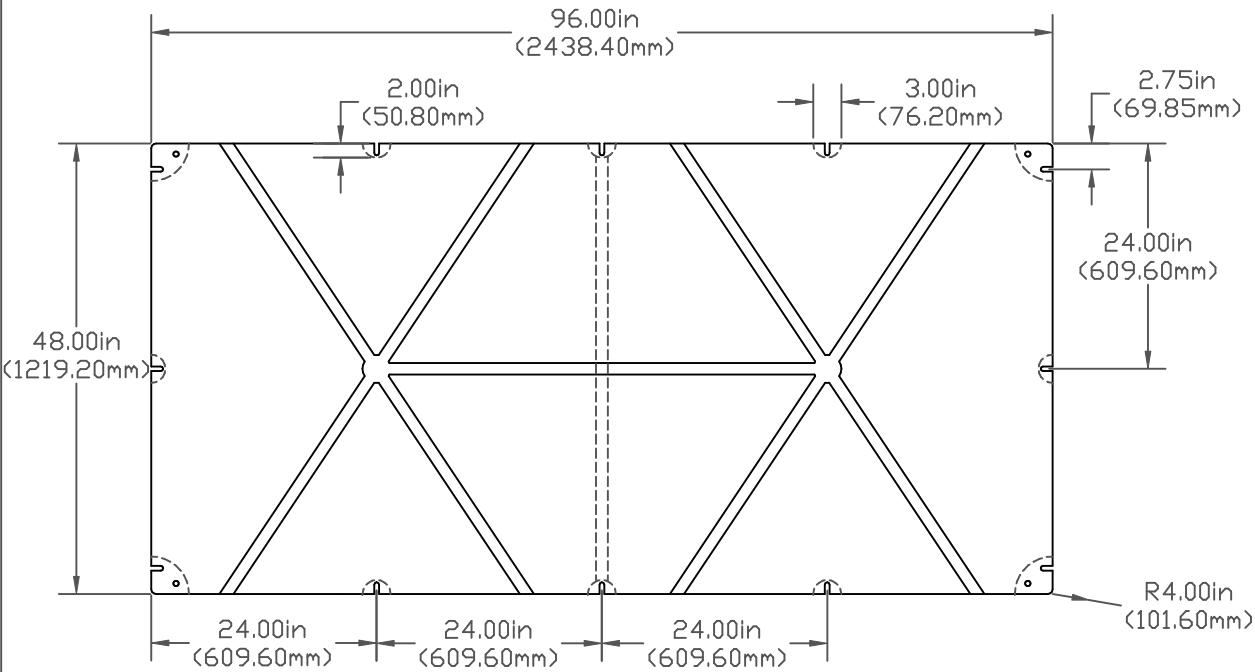
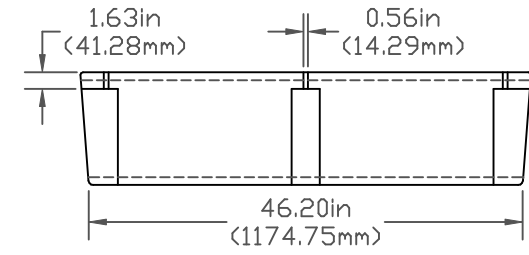
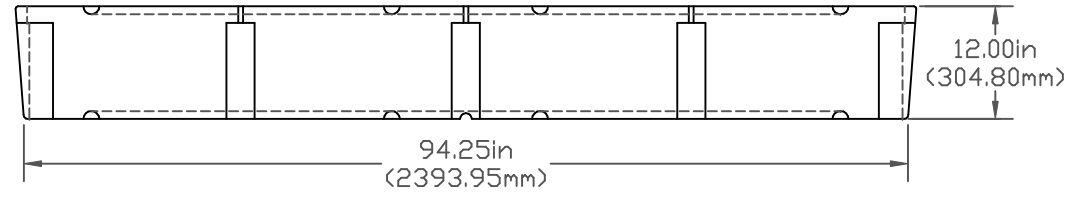


© DEN HARTOG INDUSTRIES, INC.

Copyright. All information furnished within this document, electronic file or design correspondence is the property of Den Hartog Industries, Inc. and shall not be used, disclosed to others or copied without the expressed written consent of Den Hartog Industries, Inc.



CORNER DETAIL



NOTE: BUOYANCY IS 1,803 LBS.(817.83 KG.)

B	METRIC DIMENSIONS ADDED CCN 1685	6/23/08	ADH			
A	ADD BUOYANCY NOTE	1-11-07	GWC	DRAWN	DEAN	DATE 10-19-93
A	CHANGE WEIGHT FF WAS 111	1-11-07	GWC			MATERIAL POLYETHYLENE 0.150in(3.81mm) NOM. WALL
1	CHANGE WEIGHT	11-17-94	APVD	APPROVED	ADH	DATE 11-6-07
REV	DESCRIPTION	DATE	APVD			
SCALE NONE			THIRD ANGLE PROJECTION			PART WEIGHT Ⓐ
UDS DIMENSIONS ARE IN INCHES GENERAL TOLERANCES ±1% @ 68F° (20C°)						AF 72 LBS.(32.66 KG.) FF 102 LBS.(46.27 KG.)

ACE ROTO-MOLD

PART NO. 4896-12

SIZE A DWG NO. 4896-12 REV B